

**SONY**

Car Stereo  
Service Bulletin

Sony Service Company - Technical Services  
A Division of Sony Corporation of America  
Sony Drive, Park Ridge, New Jersey 07656

**Model:** XR-7150/7200

**No. 136**

**Subject:** Intermittently No Reverse

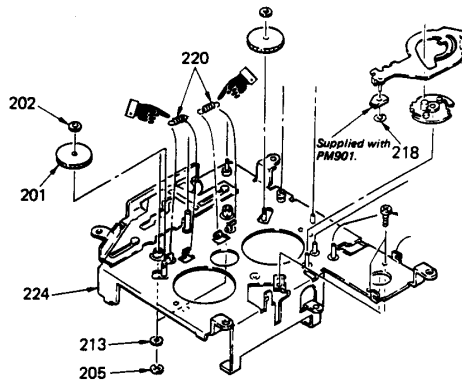
**Date:** May 24, 1989

**Symptom:**  
(65)

The tension of the play arm springs is too low.

**Solution:** Replace the two tension springs of the play arm as shown below:

Ref. No.	Description	Part Number	
		Former	New
220	Spring (play arm), Tension	3-344-218-01 Silver	3-344-218-02 Black



Reference: CS-00689 (EUROPE)

PRINTED IN U.S.A.  
CSA-14589-3

CSA-14 Tuner / Tape Deck